

Robertson Suprapubic Drain and Trocar

- Designed for bladder drainage.
- Proper drainage inside the curve, as well as an open tip, helps to provide continuous drainage.
- Catheter adapter can be connected to an independent urinary drainage system.

The Robertson* Suprapubic Drain and Trocar are designed for proper bladder drainage. The Cysto-Drain has a preformed curve to help inhibit the drain from kinking or passing out of the urethra. To provide continuous drainage, the catheter has six holes on the inside of the curve, as well as an open tip. To accommodate the recessed hook of the trocar, the catheter also contains a hole on the outside of the curve near the tip. The Cysto-Drain provides a fixed collar for correct positioning and attaching the catheter to the patient's abdomen. The catheter adapter can be connected to an independent urinary drainage system.

*J.R. Robertson, M.D. 1451 North Refugio Rd., Santa Ynez, CA 93460

Robertson Suprapubic Drain

STERILE

Product Code

430-5116

Size

15 Fr.

Disposable silicone elastomer catheter

Robertson Trocar

REUSABLE

Product Code

430-5100

Stainless steel instrument

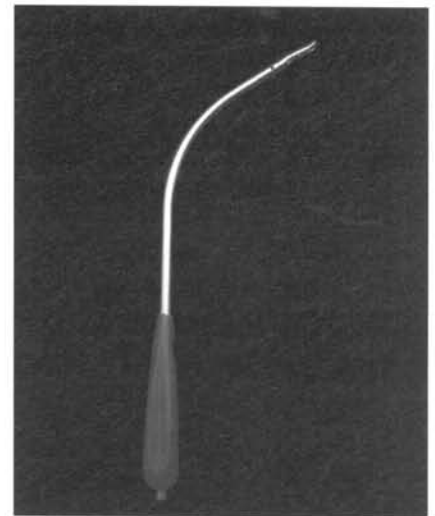
All dimensions are nominal

All Bentec products are latex-free

To order, call 800•767•9175

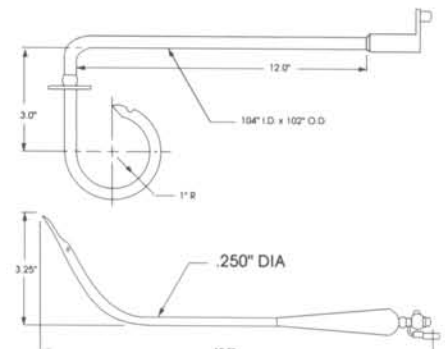
Visa/Mastercard/Procurement Cards Accepted • Special Orders Available

Caution: Federal (USA) law restricts these devices to sale or on the order of a physician.
All Bentec Medical, Inc. products are manufactured in the U.S. by Bentec Medical, Inc. in compliance with strict GMP Guidelines.



Robertson Trocar

The Cysto-Trocar is a stainless steel reusable instrument shaped to a normal urological curve. In use it is introduced into the bladder via the urethra. The instrument is a hollow tube which allows filling and distention of the bladder before the tip of the trocar is placed through the bladder wall and fascia. The trocar has a recessed hook to which the drain is attached for pulling into the bladder.



bentec
M E D I C A L

Internet: www.bentecmed.com
E-mail: bentec@bentecmed.com

b e n t e c

STERILE



Medical Grade Silicone Sheeting

- Reinforced
- Non reinforced
- Range of thicknesses from .005" to .125"
- Translucent
- Standard sizes 3" x 4", 6" x 8"
- Special sizes available up to 14" x 18"

Silicone Block

- Implant grade material
- Two standard sizes
- Soft – 20A Durometer
- Medium – 35A Durometer
- Firm – 50A Durometer
- Extra-Firm – 65A Durometer

Silicone Elastomer Tubing

- Sizes from 2 to 28 French
- Translucent
- Radiopaque

Silicone Rods also available



To order, call 800•767•9175

Visa/Mastercard/Procurement Cards Accepted

Internet: www.bentecmed.com
E-mail: bentec@bentecmed.com